

# GVA DETAILS

## FIRST SUBMITTAL

### VENTILATED FACADE PORCELAIN

DRAWING INDEX	
0.0	COVER PAGE
0.1	GVA SYSTEM PROJECTION
0.2	DETAIL REFERENCE ELEVATION
1	GVA @ PARAPET
2	GVA @ BRACING SECTION
3	GVA @ HORIZONTAL JOINT
4	GVA @ EIFS BAND
5	GVA @ BASE OF PANEL
6	GVA @ HEADER CONDITION
7	GVA @ SILL CONDITION
8	GVA @ JAMB CONDITION
9	GVA @ L-PROFILE ATTACHMENT
10	GVA @ T-PROFILE ATTACHMENT
11	GVA @ VERTICAL JOINT WITH BRACING
12	GVA @ L-PROFILE OVER BRACING
13	GVA @ OUTSIDE CORNER
14	GVA @ INSIDE CORNER
15	GVA @ FASCIA TO SOFFIT
16	GVA @ SOFFIT TO FASCIA



GV FACADES  
 1075 WEST SAM HOUSTON  
 PKWY NORTH, SUITE #214,  
 HOUSTON, TEXAS 77043  
 TEL: 713 869 0800

**COVER PAGE**

**GVA DETAILS**

ISSUED FOR:  
**1ST SUBMITTAL**

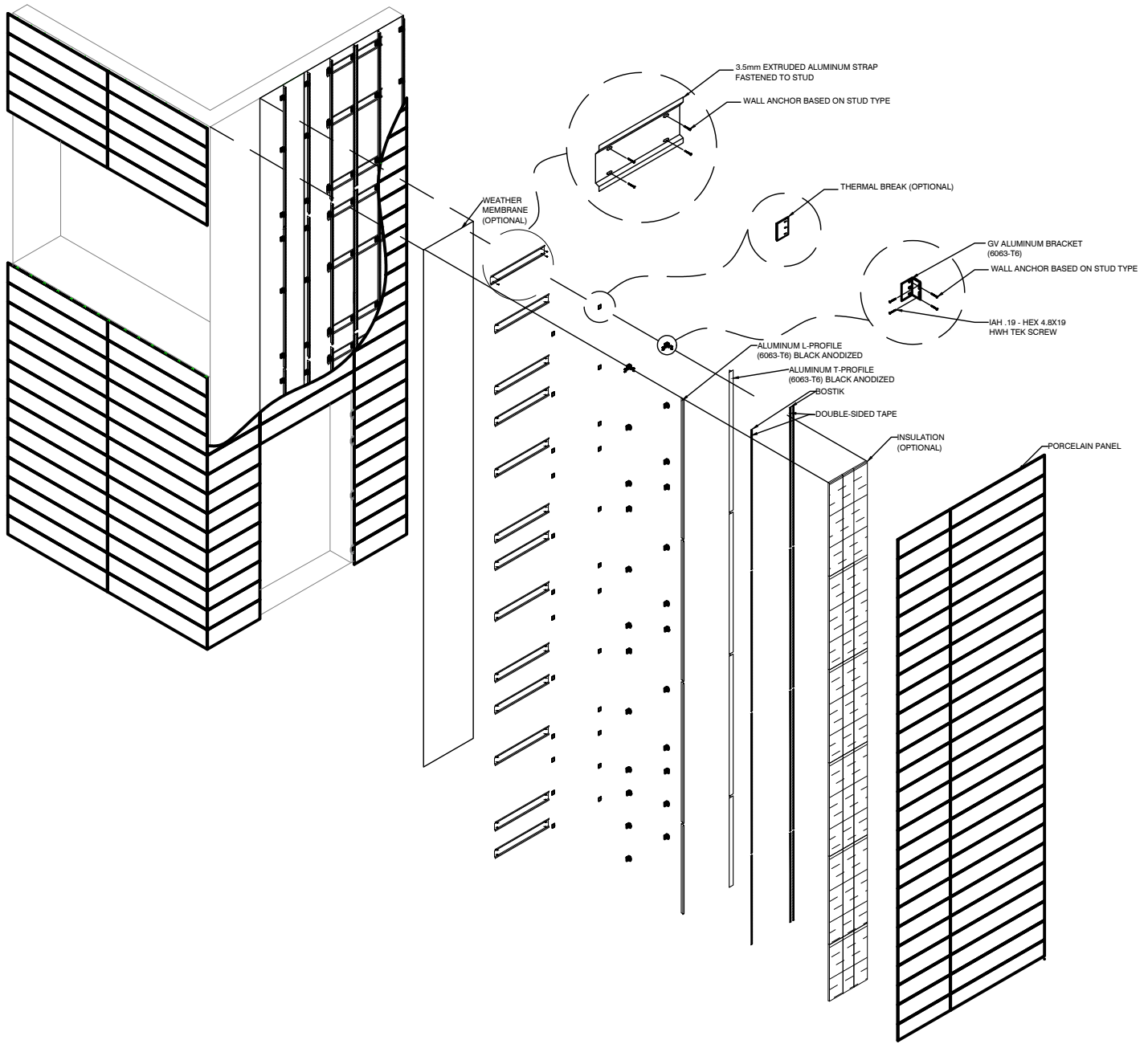
JOB NO:  
**N/A**

DRAWN BY:  
**AA**

SCALE:  
**NTS**

OP DETAIL NO:  
**0.0**

DATE:  
**06-16-2021**



GV FACADES  
 1075 WEST SAM HOUSTON  
 PKWY NORTH, SUITE #214,  
 HOUSTON, TEXAS 77043  
 TEL: 713 869 0800

## GVA SYSTEM PROJECTION

## GVA DETAILS

ISSUED FOR:  
**1ST SUBMITTAL**

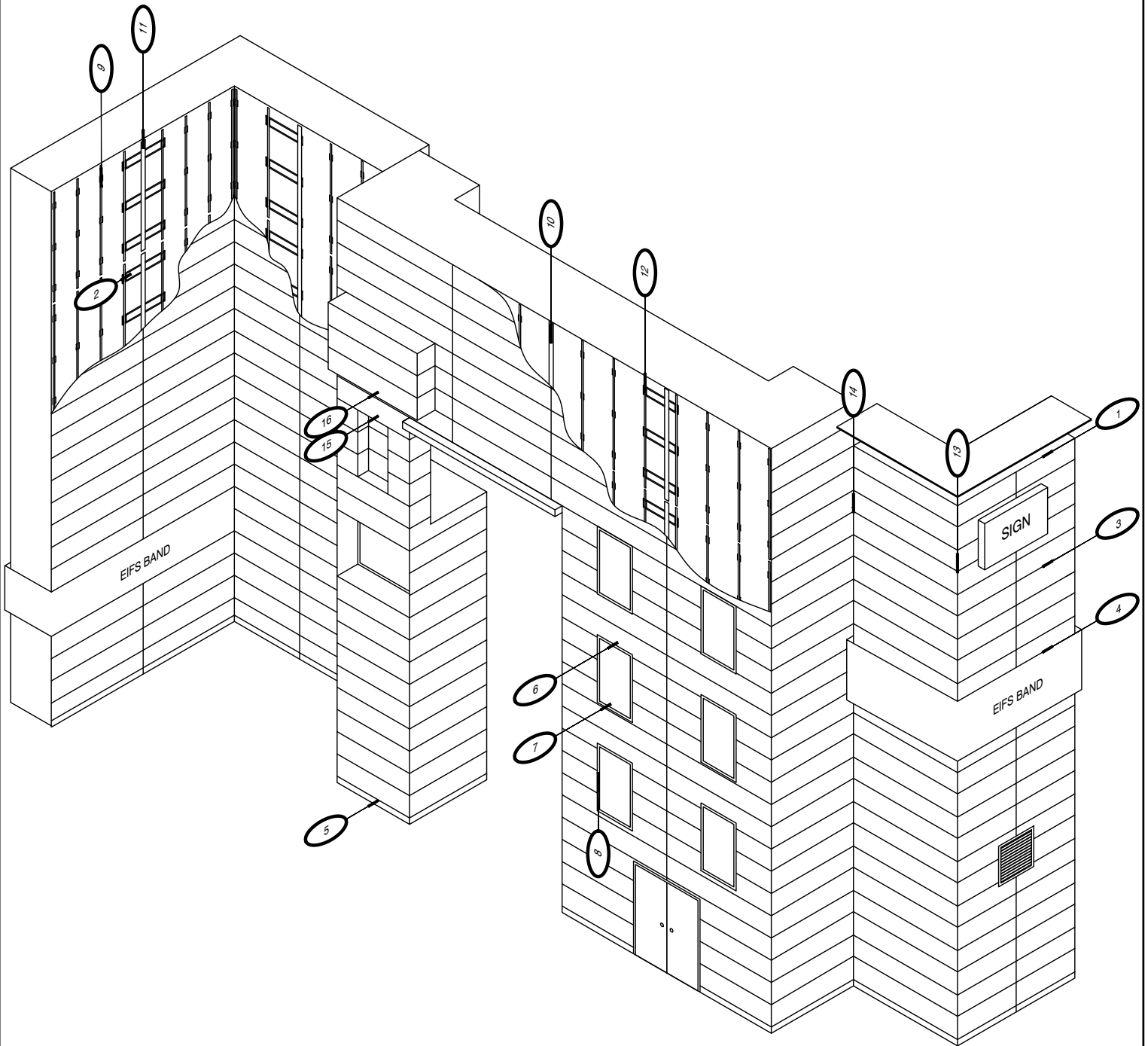
JOB NO:  
**N/A**

DRAWN BY:  
**AA**

SCALE:  
**NTS**

OP DETAIL NO:  
**0.1**

DATE:  
**06-16-2021**



GV FACADES  
 1075 WEST SAM HOUSTON  
 PKWY NORTH, SUITE #214,  
 HOUSTON, TEXAS 77043  
 TEL: 713 869 0800

## DETAIL REFERENCE ELEVATION

## GVA DETAILS

ISSUED FOR:  
**1ST SUBMITTAL**

JOB NO:  
**N/A**

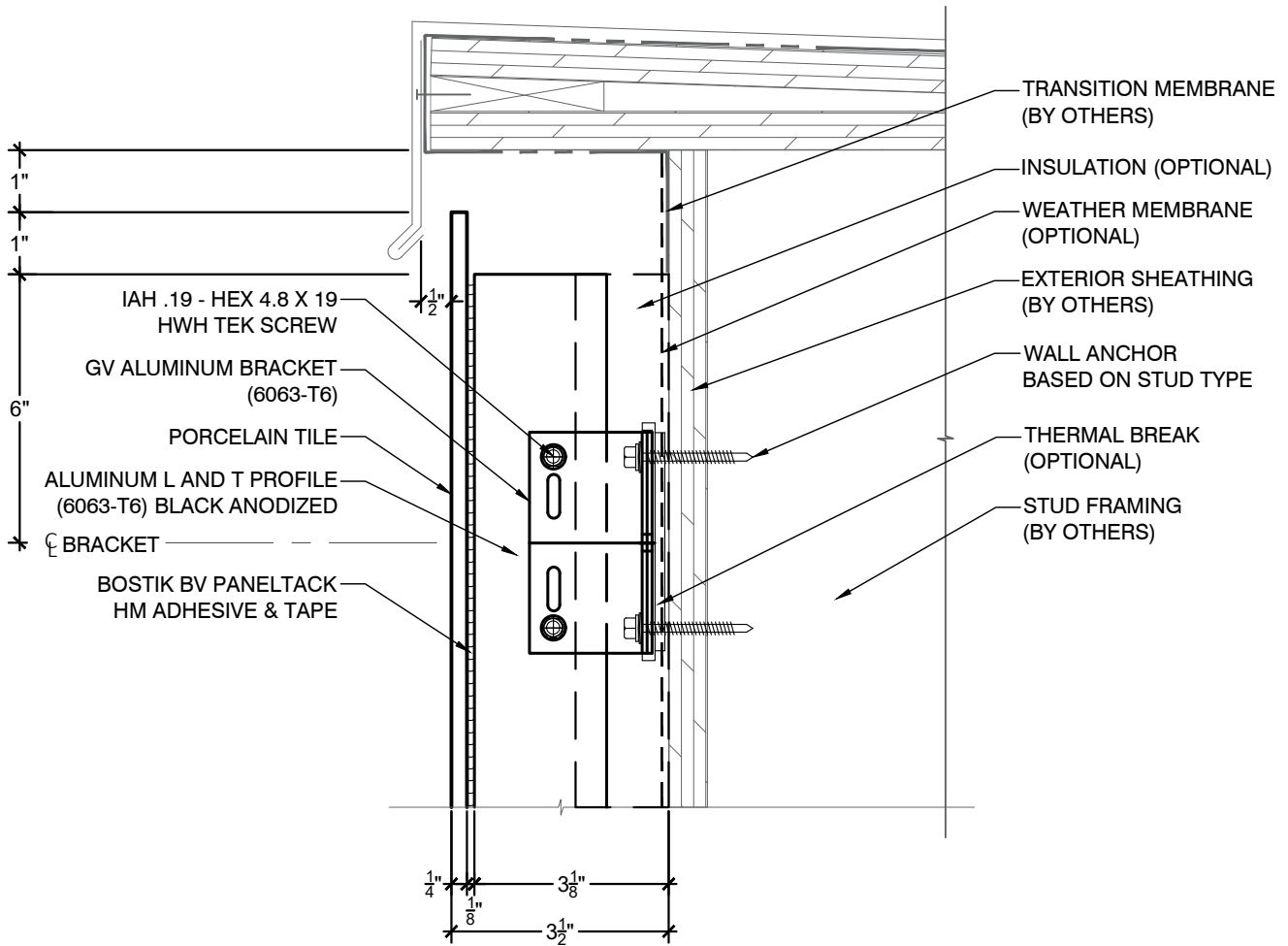
DRAWN BY:  
**AA**

SCALE:  
**NTS**

OP DETAIL NO:

DATE:  
**06-16-2021**

**0.2**



1 **GVA PARAPET DETAIL**



GV FACADES  
 1075 WEST SAM HOUSTON  
 PKWY NORTH, SUITE #214,  
 HOUSTON, TEXAS 77043  
 TEL: 713 869 0800

**GVA @ PARAPET**

**GVA DETAILS**

ISSUED FOR:  
**1ST SUBMITTAL**

JOB NO:  
**N/A**

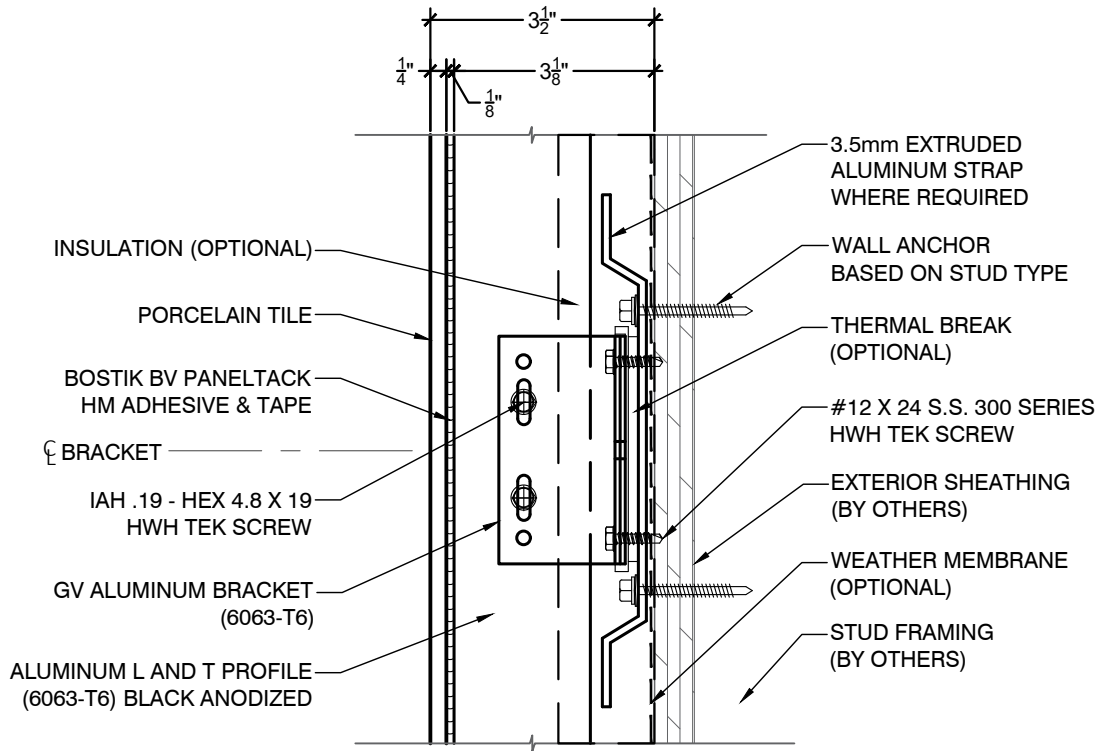
DRAWN BY:  
**AA**

SCALE:  
**NTS**

OP DETAIL NO:

DATE:  
**06-16-2021**

**1**



2 **GVA BRACING SECTION DETAIL**



GV FACADES  
 1075 WEST SAM HOUSTON  
 PKWY NORTH, SUITE #214,  
 HOUSTON, TEXAS 77043  
 TEL: 713 869 0800

**GVA @ BRACING**

**GVA DETAILS**

ISSUED FOR:  
**1ST SUBMITTAL**

JOB NO:  
**N/A**

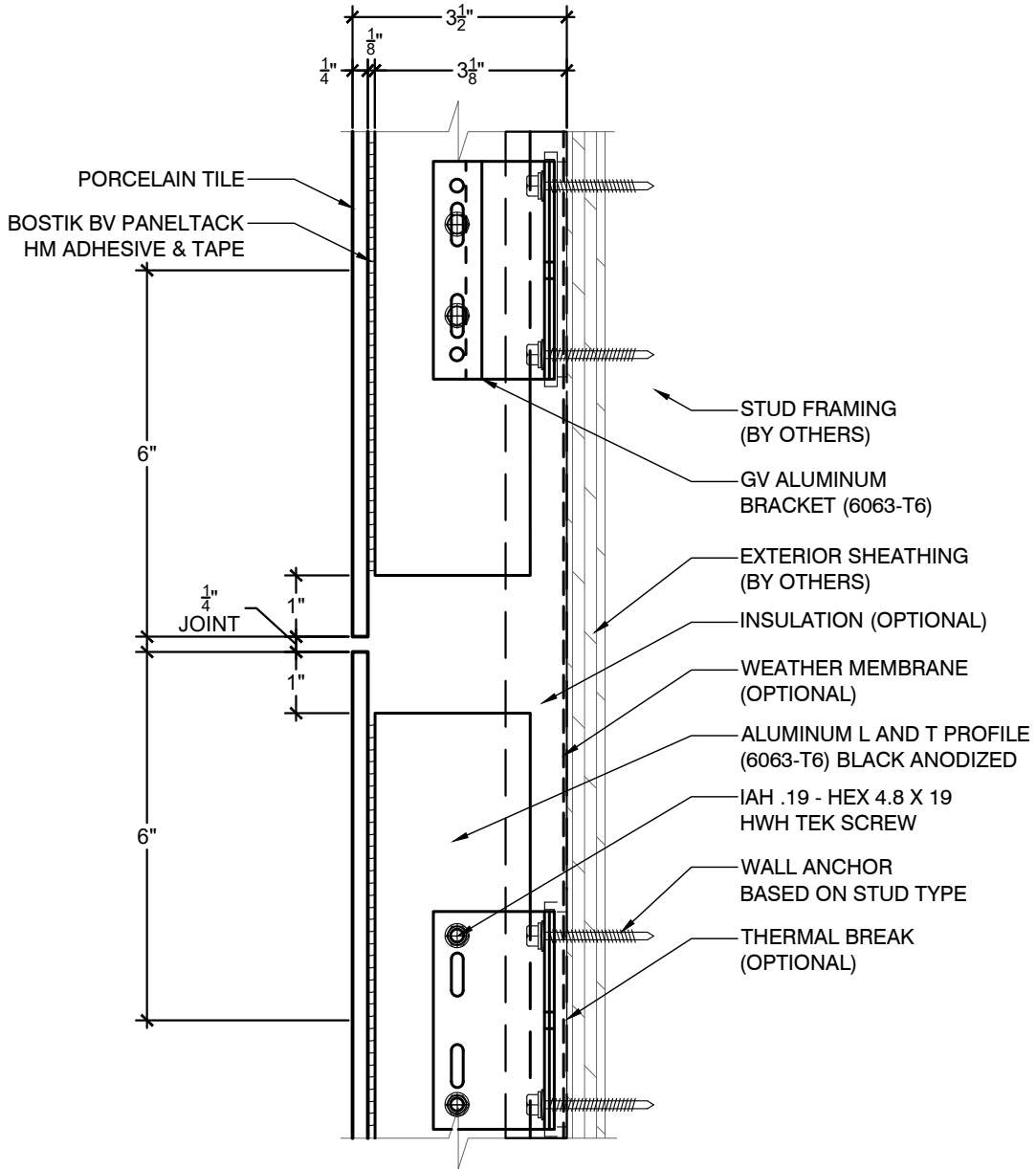
DRAWN BY:  
**AA**

SCALE:  
**NTS**

OP DETAIL NO:

DATE:  
**06-16-2021**

**2**



3 **GVA HORIZONTAL JOINT DETAIL**



GV FACADES  
 1075 WEST SAM HOUSTON  
 PKWY NORTH, SUITE #214,  
 HOUSTON, TEXAS 77043  
 TEL: 713 869 0800

**GVA @ HORIZONTAL JOINT**

**GVA DETAILS**

ISSUED FOR:  
**1ST SUBMITTAL**

JOB NO:  
**N/A**

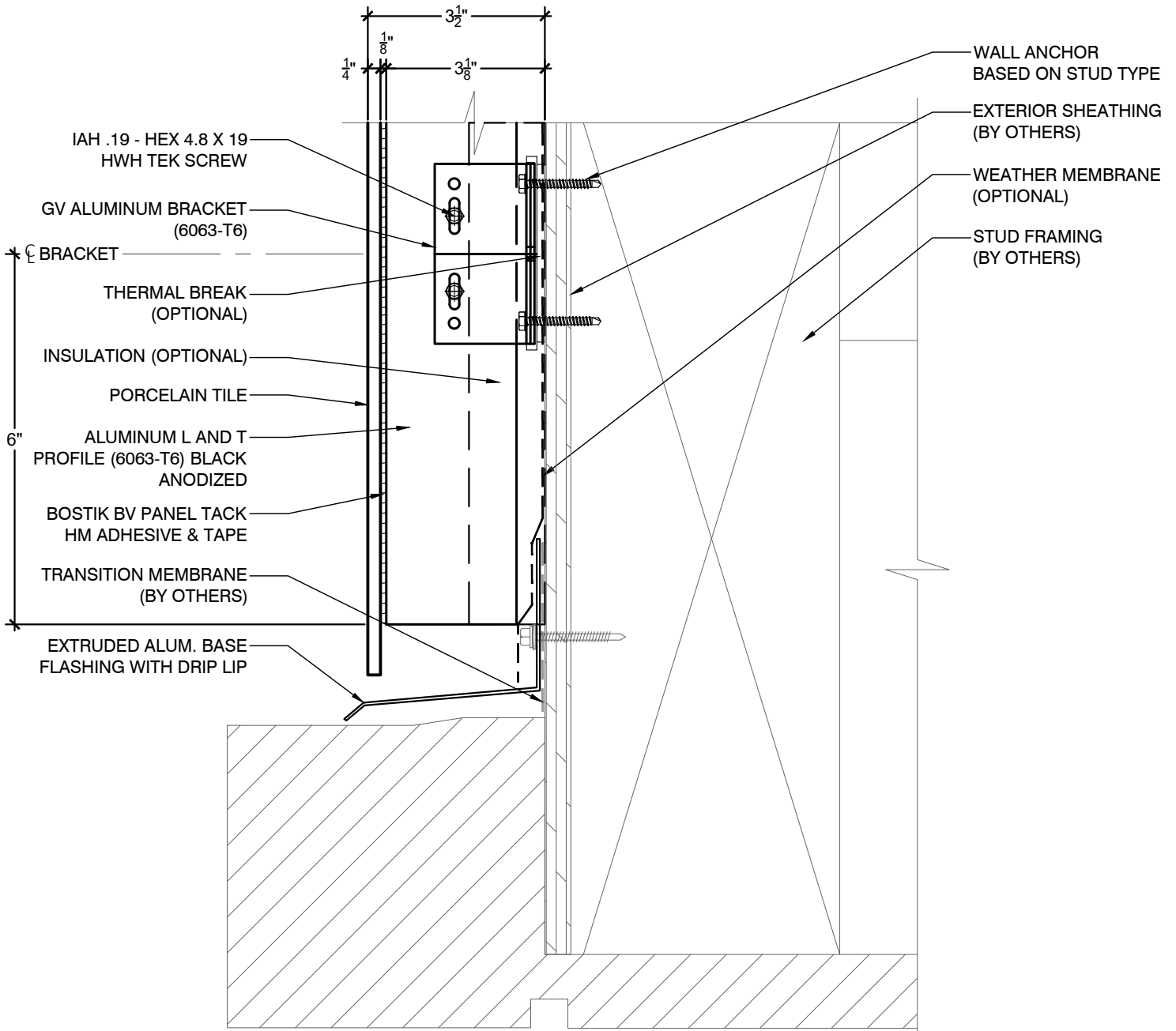
DRAWN BY:  
**AA**

SCALE:  
**NTS**

DATE:  
**06-16-2021**

OP DETAIL NO:

**3**



4

**GVA EIFS BAND DETAIL**



GV FACADES  
 1075 WEST SAM HOUSTON  
 PKWY NORTH, SUITE #214,  
 HOUSTON, TEXAS 77043  
 TEL: 713 869 0800

**GVA @ EIFS BAND**

**GVA DETAILS**

ISSUED FOR:  
**1ST SUBMITTAL**

JOB NO:  
**N/A**

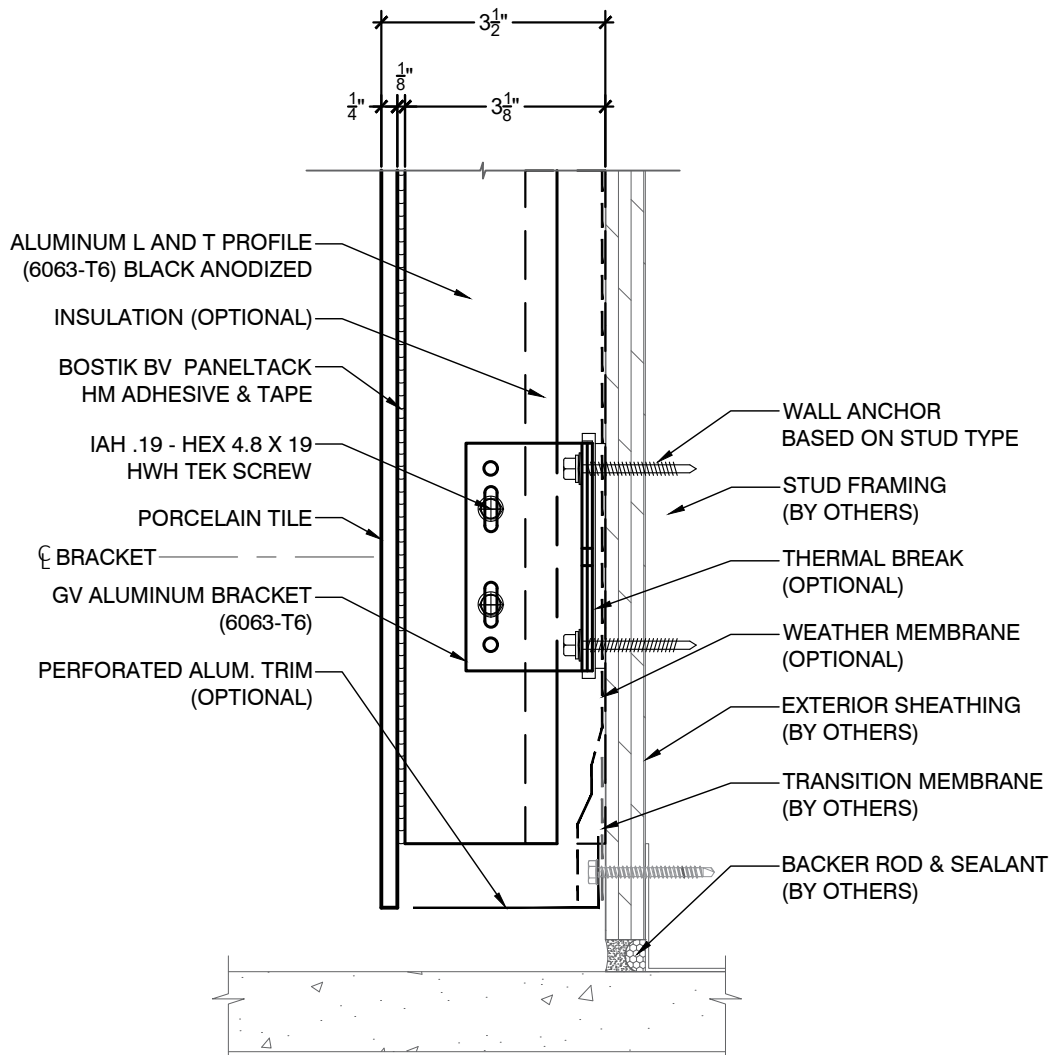
DRAWN BY:  
**AA**

SCALE:  
**NTS**

OP DETAIL NO:

DATE:  
**06-16-2021**

**4**



5 **GVA BASE OF PANEL DETAIL**



GV FACADES  
 1075 WEST SAM HOUSTON  
 PKWY NORTH, SUITE #214,  
 HOUSTON, TEXAS 77043  
 TEL: 713 869 0800

**GVA @ BASE OF PANEL**

**GVA DETAILS**

ISSUED FOR:  
**1ST SUBMITTAL**

JOB NO:  
**N/A**

DRAWN BY:  
**AA**

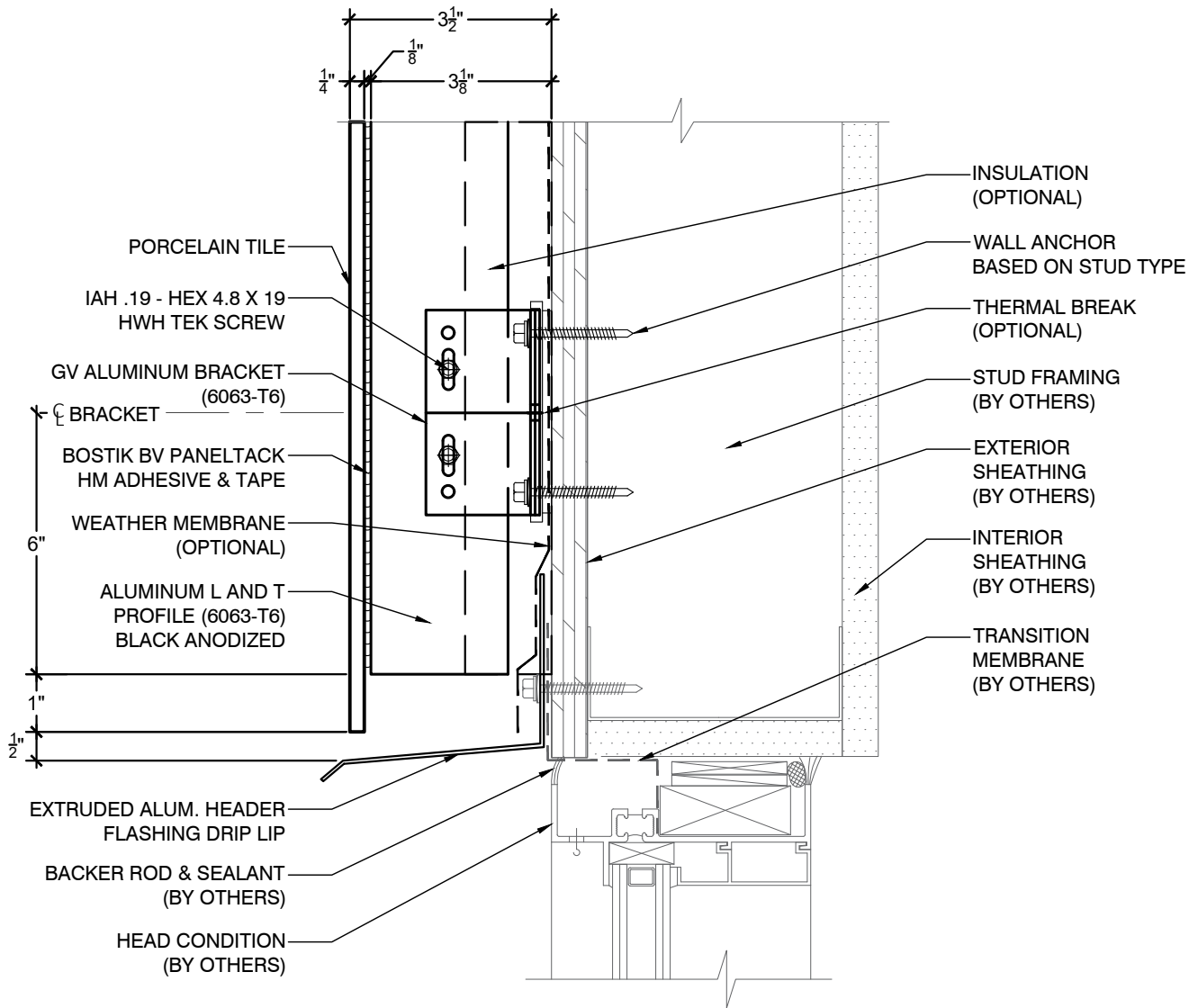
SCALE:  
**NTS**

OP DETAIL NO:

DATE:  
**06-16-2021**

**5**





6
GVA HEADER CONDITION DETAIL

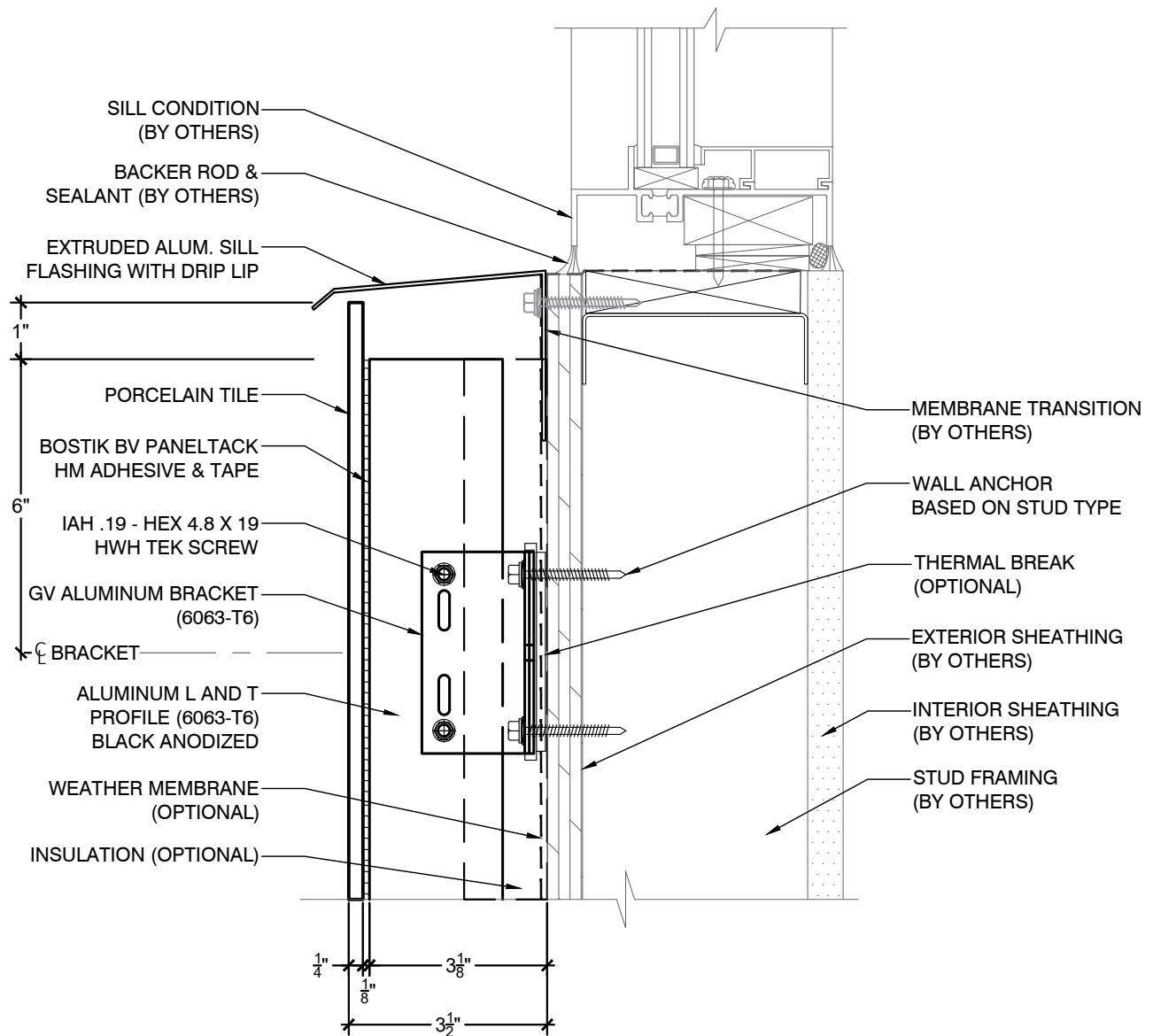


GV FACADES  
 1075 WEST SAM HOUSTON  
 PKWY NORTH, SUITE #214,  
 HOUSTON, TEXAS 77043  
 TEL: 713 869 0800

## GVA @ HEADER CONDITION

## GVA DETAILS

ISSUED FOR: <b>1ST SUBMITTAL</b>	
JOB NO: <b>N/A</b>	DRAWN BY: <b>AA</b>
SCALE: <b>NTS</b>	OP DETAIL NO: <b>6</b>
DATE: <b>06-16-2021</b>	



7 GVA SILL CONDITION DETAIL



GV FACADES  
 1075 WEST SAM HOUSTON  
 PKWY NORTH, SUITE #214,  
 HOUSTON, TEXAS 77043  
 TEL: 713 869 0800

GVA @ SILL CONDITION

GVA DETAILS

ISSUED FOR:  
**1ST SUBMITTAL**

JOB NO:  
**N/A**

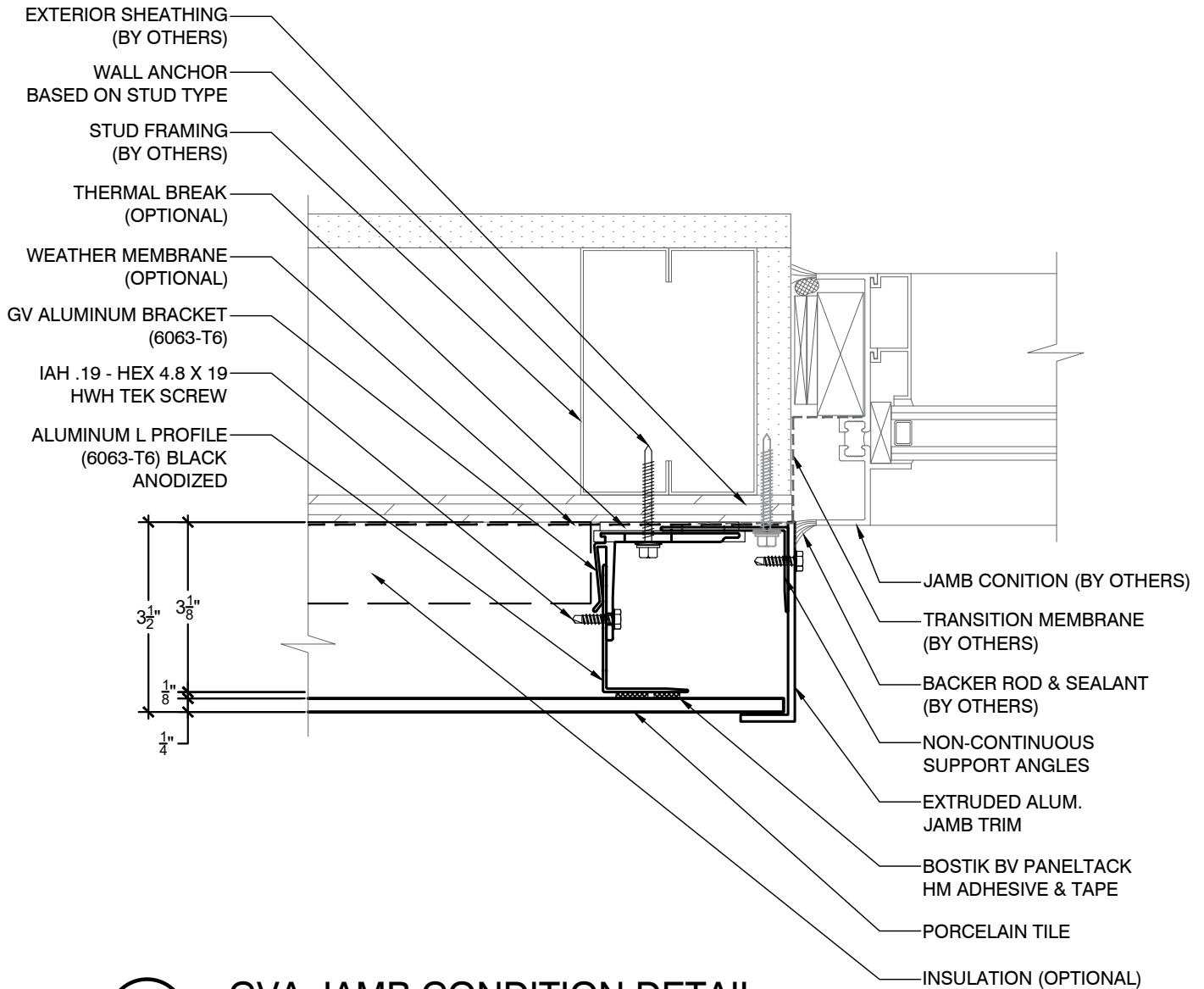
DRAWN BY:  
**AA**

SCALE:  
**NTS**

OP DETAIL NO:

DATE:  
**06-16-2021**

**7**



8 **GVA JAMB CONDITION DETAIL**



GV FACADES  
 1075 WEST SAM HOUSTON  
 PKWY NORTH, SUITE #214,  
 HOUSTON, TEXAS 77043  
 TEL: 713 869 0800

**GVA @ JAMB CONDITION**

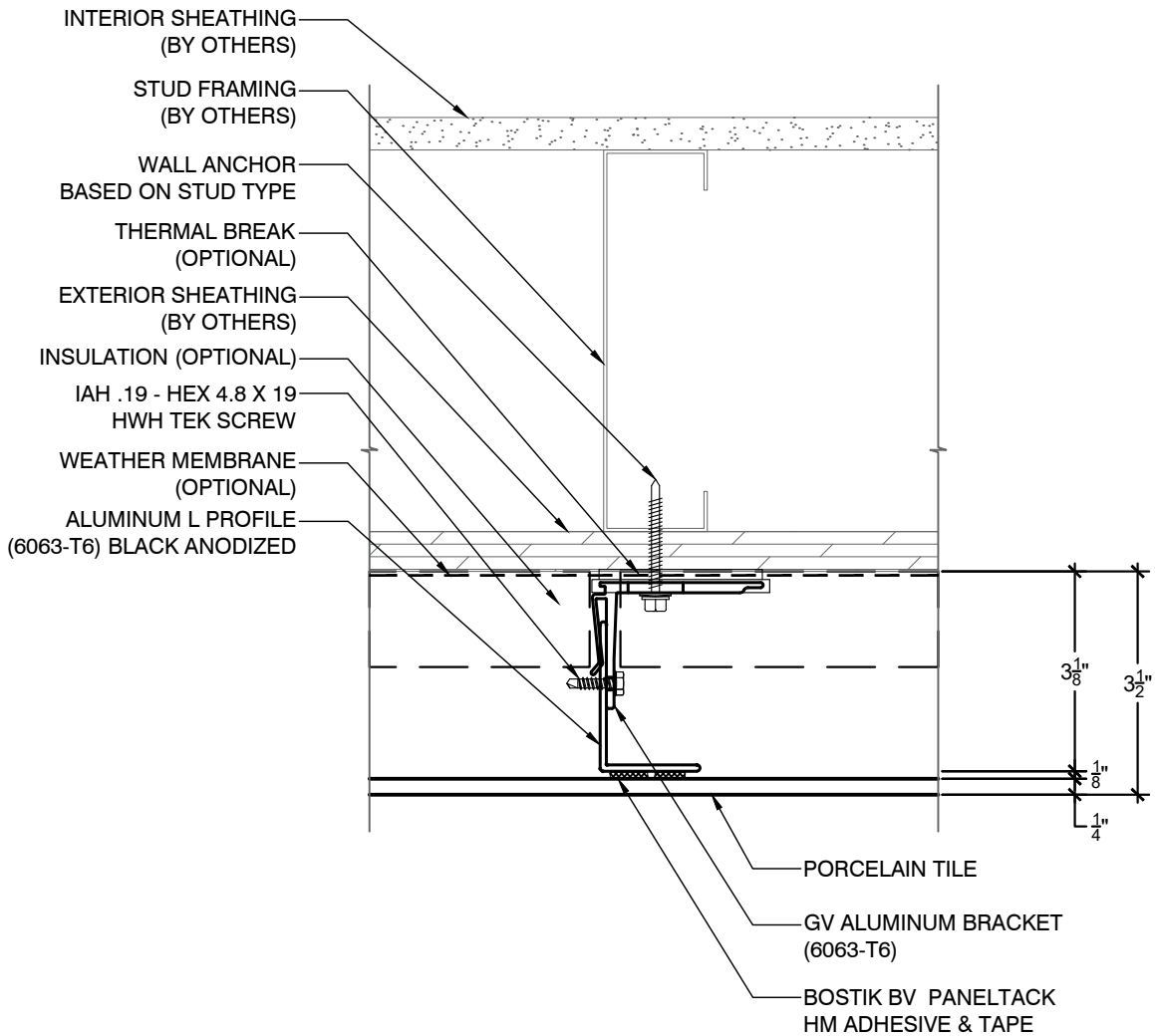
**GVA DETAILS**

ISSUED FOR:  
**1ST SUBMITTAL**

JOB NO: <b>N/A</b>	DRAWN BY: <b>AA</b>
-----------------------	------------------------

SCALE: <b>NTS</b>	OP DETAIL NO:
----------------------	---------------

DATE: <b>06-16-2021</b>	<b>8</b>
----------------------------	----------



9
**GVA L-PROFILE ATTACHMENT DETAIL**



GV FACADES  
 1075 WEST SAM HOUSTON  
 PKWY NORTH, SUITE #214,  
 HOUSTON, TEXAS 77043  
 TEL: 713 869 0800

**GVA @ L-PROFILE ATTACHMENT**

**GVA DETAILS**

ISSUED FOR:  
**1ST SUBMITTAL**

JOB NO:  
**N/A**

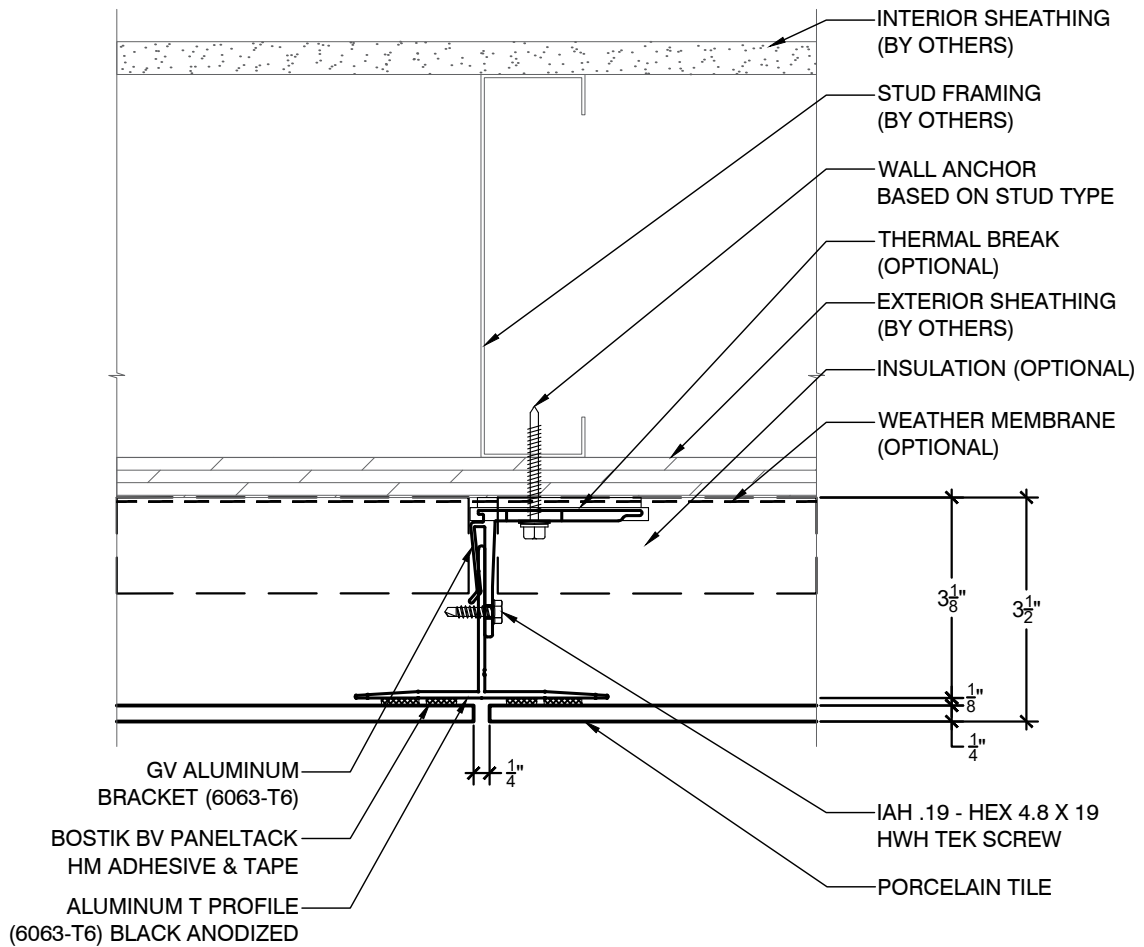
DRAWN BY:  
**AA**

SCALE:  
**NTS**

OP DETAIL NO:

DATE:  
**06-16-2021**

**9**



10 **GVA T-PROFILE ATTACHMENT**



GV FACADES  
 1075 WEST SAM HOUSTON  
 PKWY NORTH, SUITE #214,  
 HOUSTON, TEXAS 77043  
 TEL: 713 869 0800

**GVA @ T-PROFILE ATTACHMENT**

**GVA DETAILS**

ISSUED FOR:  
**1ST SUBMITTAL**

JOB NO:  
**N/A**

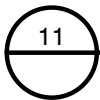
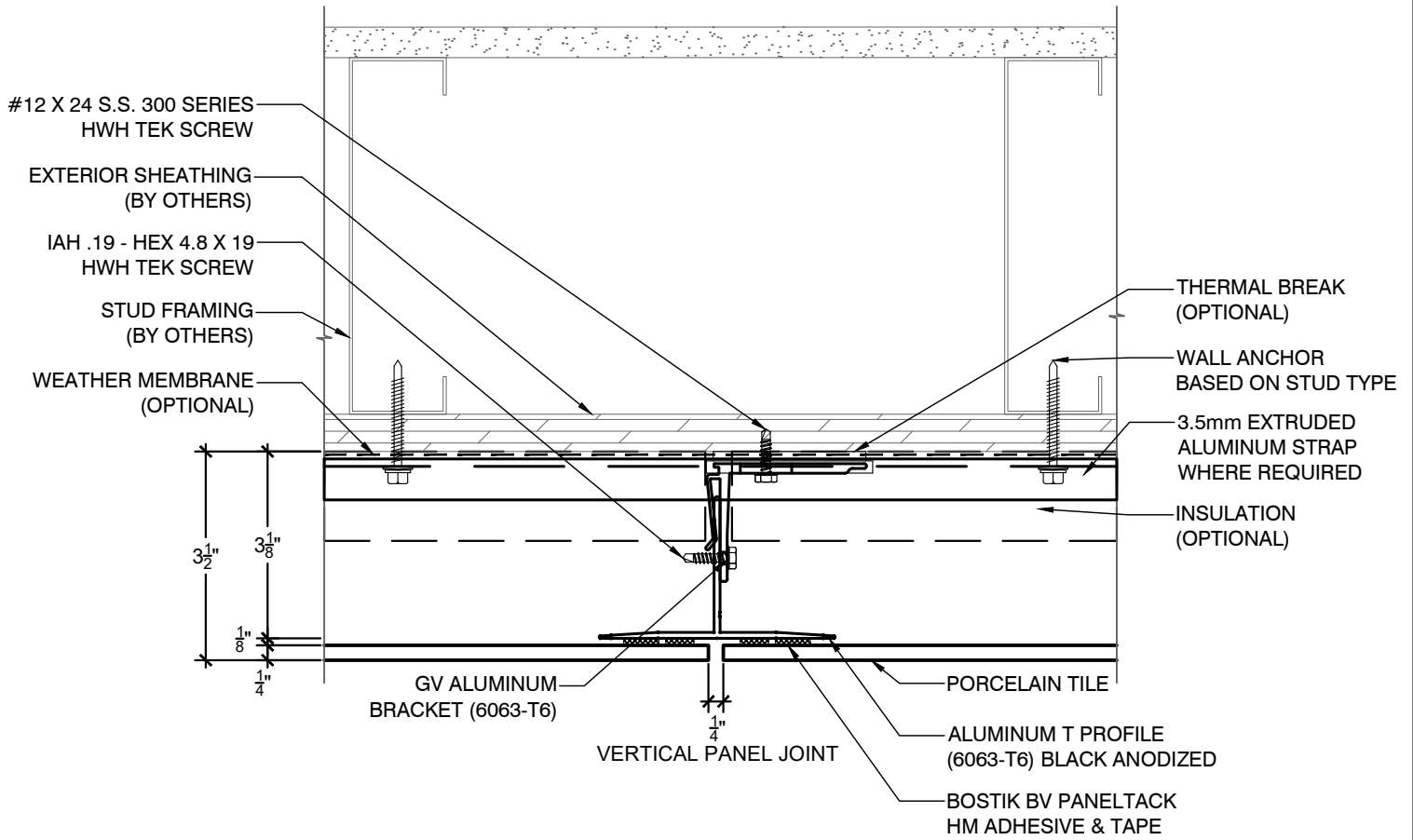
DRAWN BY:  
**AA**

SCALE:  
**NTS**

OP DETAIL NO:

DATE:  
**06-16-2021**

**10**



## GVA VERTICAL JOINT WITH BRACING DETAIL



GV FACADES  
1075 WEST SAM HOUSTON  
PKWY NORTH, SUITE #214,  
HOUSTON, TEXAS 77043  
TEL: 713 869 0800

GVA @ VERTICAL JOINT  
WITH BRACING

GVA DETAILS

ISSUED FOR:

1ST SUBMITTAL

JOB NO:

N/A

DRAWN BY:

AA

SCALE:

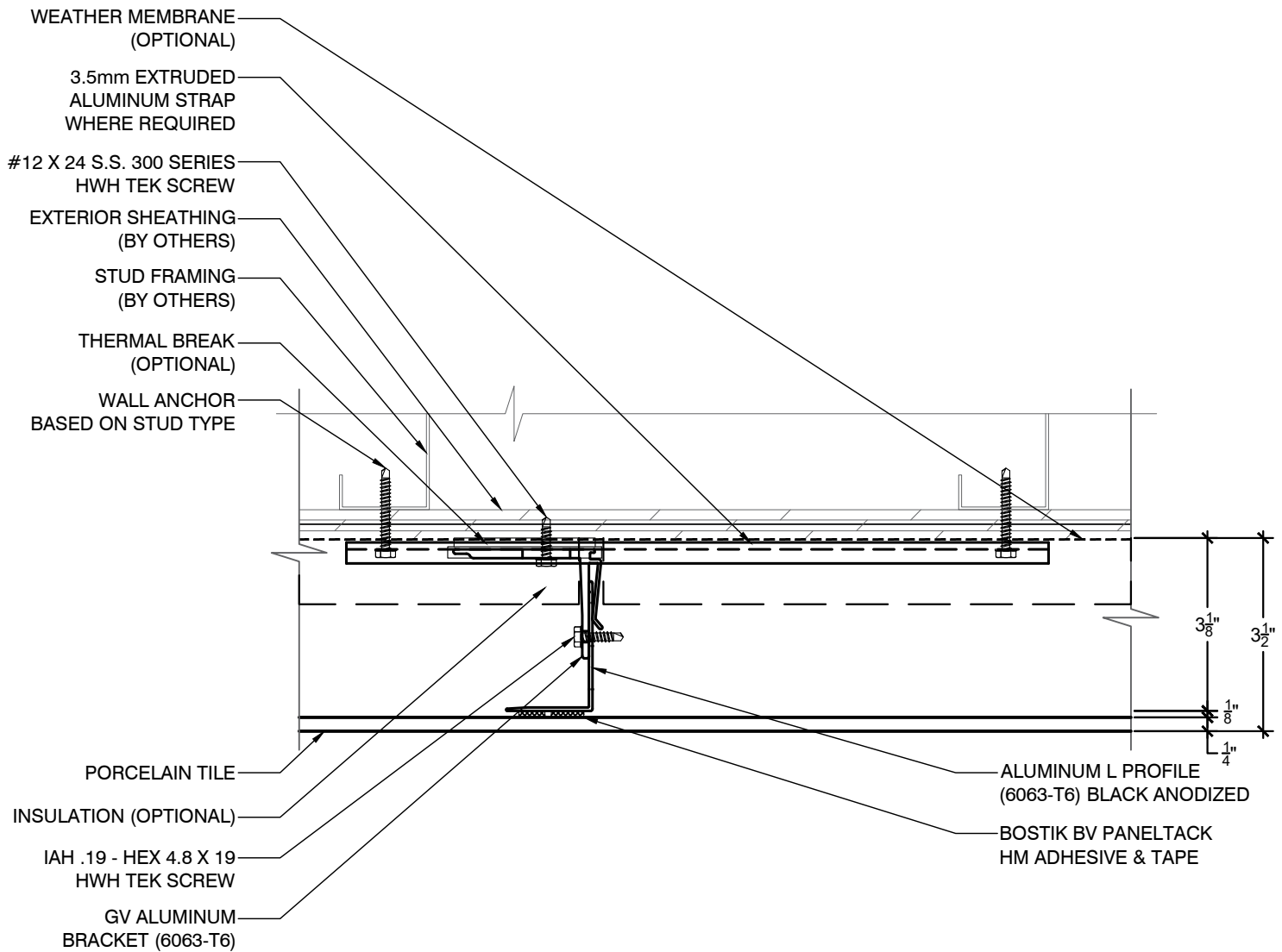
NTS

OP DETAIL NO:

11

DATE:

06-16-2021



12
**GVA L-PROFILE WITH BRACING DETAIL**



GV FACADES  
 1075 WEST SAM HOUSTON  
 PKWY NORTH, SUITE #214,  
 HOUSTON, TEXAS 77043  
 TEL: 713 869 0800

**GVA @ L-PROFILE WITH BRACING**

**GVA DETAILS**

ISSUED FOR:  
**1ST SUBMITTAL**

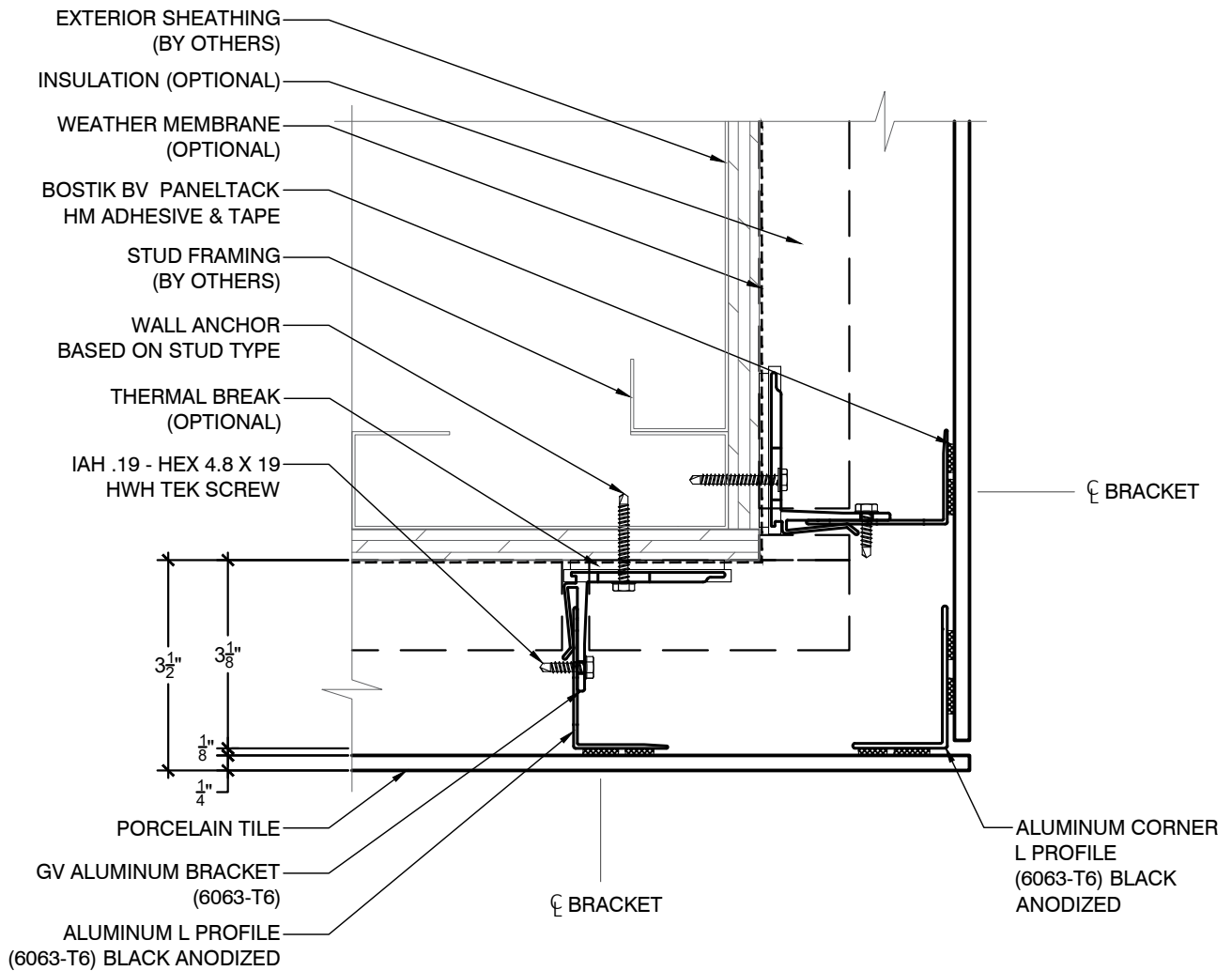
JOB NO:  
**N/A**

DRAWN BY:  
**AA**

SCALE:  
**NTS**

OP DETAIL NO:  
**12**

DATE:  
**06-16-2021**



13
GVA OUTSIDE CORNER DETAIL



GV FACADES  
 1075 WEST SAM HOUSTON  
 PKWY NORTH, SUITE #214,  
 HOUSTON, TEXAS 77043  
 TEL: 713 869 0800

**GVA @ OUTSIDE CORNER**

**GVA DETAILS**

ISSUED FOR:  
**1ST SUBMITTAL**

JOB NO:  
**N/A**

DRAWN BY:  
**AA**

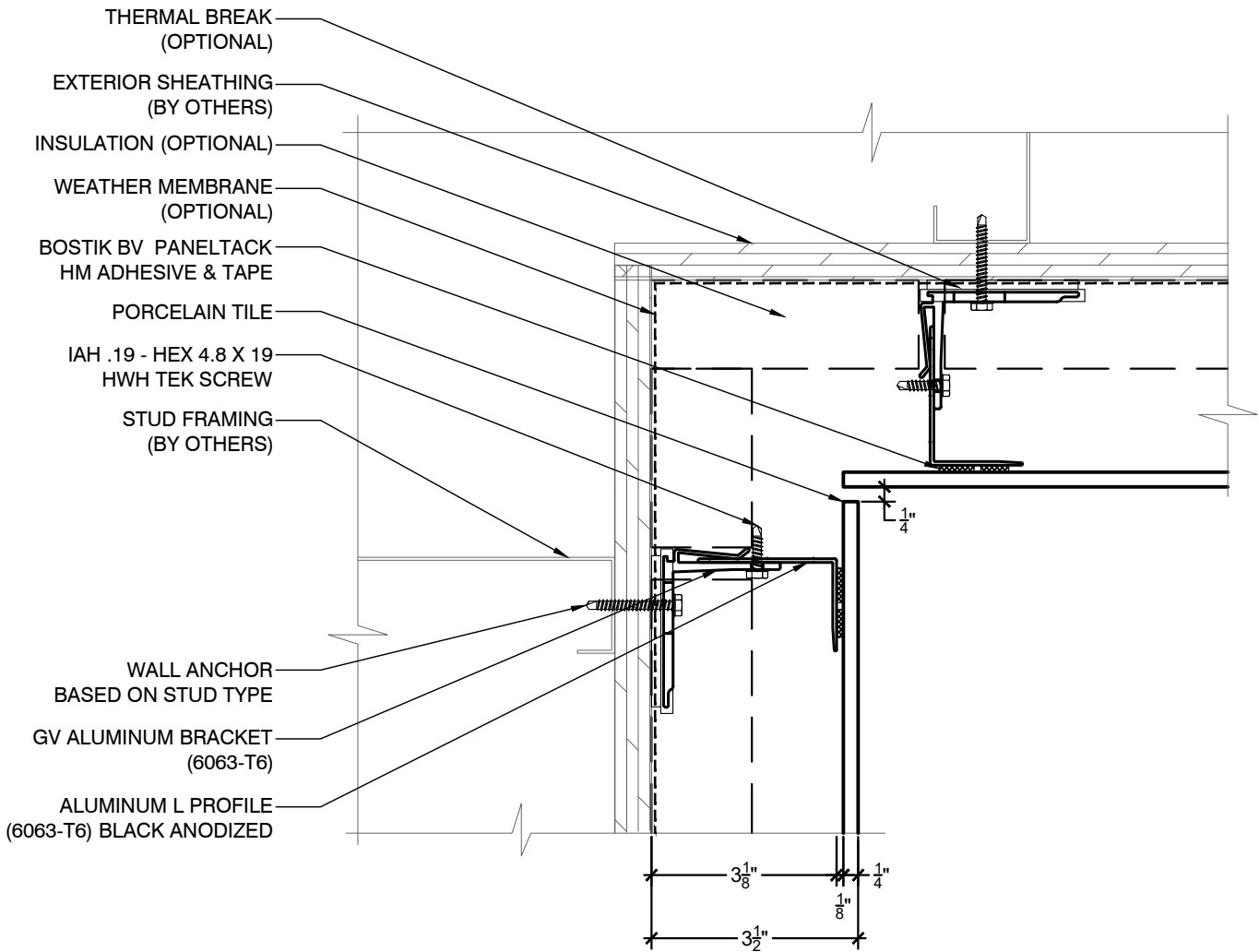
SCALE:  
**NTS**

OP DETAIL NO:

DATE:  
**06-16-2021**

**13**





14 **GVA INSIDE CORNER DETAIL**



GV FACADES  
 1075 WEST SAM HOUSTON  
 PKWY NORTH, SUITE #214,  
 HOUSTON, TEXAS 77043  
 TEL: 713 869 0800

**GVA @ INSIDE CORNER**

**GVA DETAILS**

ISSUED FOR:  
**1ST SUBMITTAL**

JOB NO:  
**N/A**

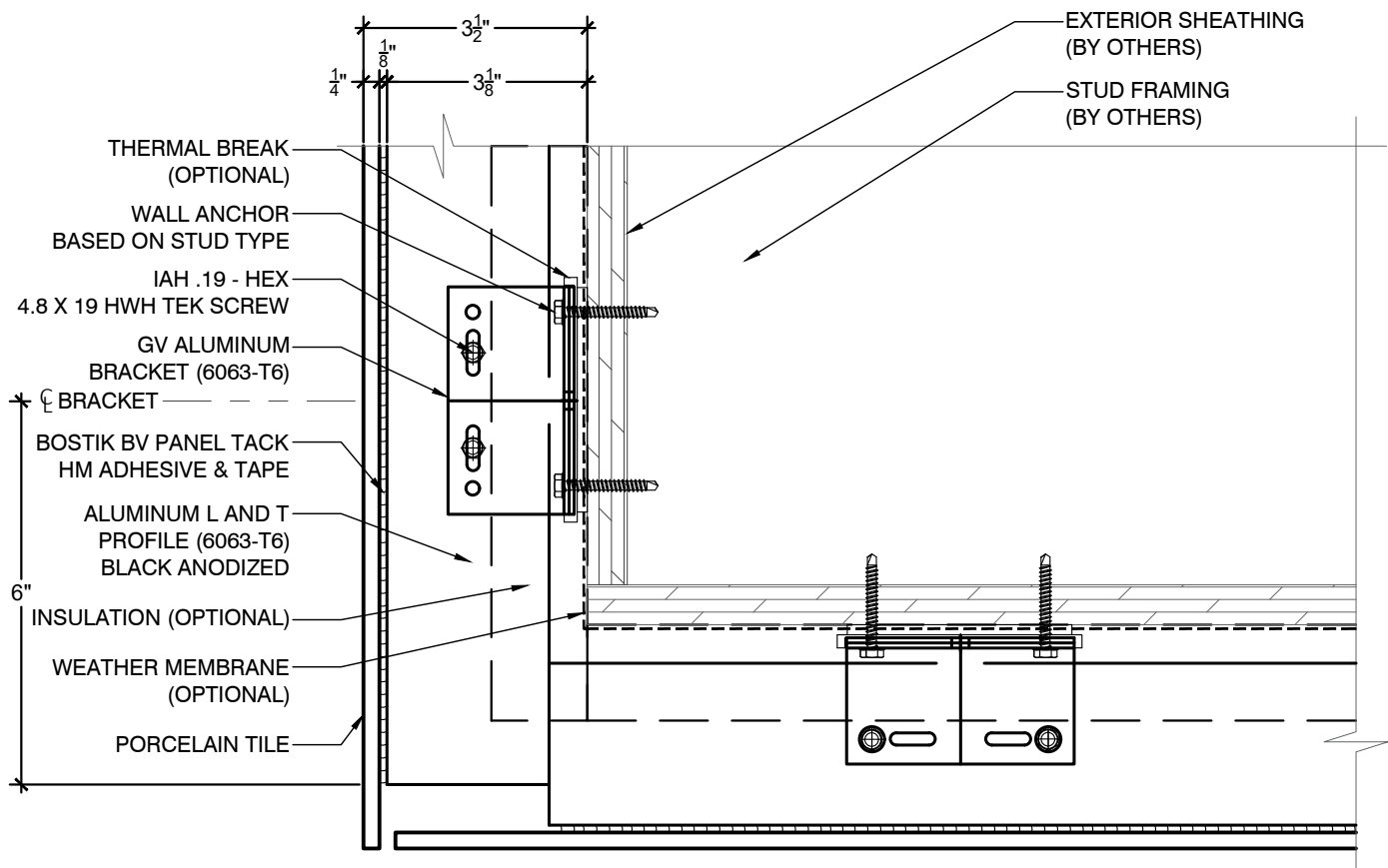
DRAWN BY:  
**AA**

SCALE:  
**NTS**

OP DETAIL NO:

DATE:  
**06-16-2021**

**14**



15
**GVA FASCIA TO SOFFIT DETAIL**



GV FACADES  
 1075 WEST SAM HOUSTON  
 PKWY NORTH, SUITE #214,  
 HOUSTON, TEXAS 77043  
 TEL: 713 869 0800

**GVA @ FASCIA TO SOFFIT**

**GVA DETAILS**

ISSUED FOR:  
**1ST SUBMITTAL**

JOB NO:  
**N/A**

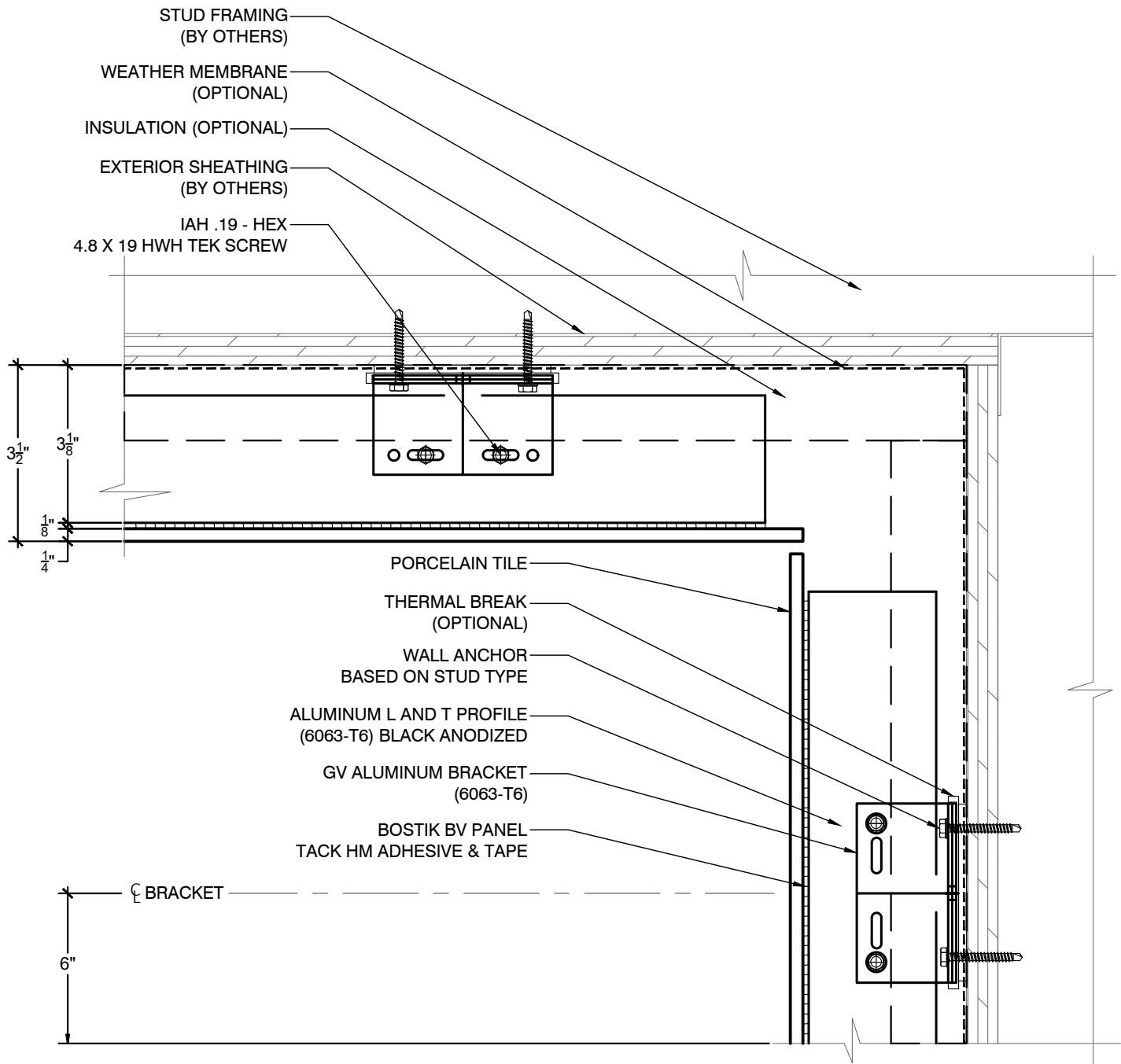
DRAWN BY:  
**AA**

SCALE:  
**NTS**

OP DETAIL NO:

DATE:  
**06-16-2021**

**15**



16 **GVA SOFFIT TO FASCIA DETAIL**



GV FACADES  
 1075 WEST SAM HOUSTON  
 PKWY NORTH, SUITE #214,  
 HOUSTON, TEXAS 77043  
 TEL: 713 869 0800

**GVA @ SOFFIT TO FASCIA**

**GVA DETAILS**

ISSUED FOR:  
**1ST SUBMITTAL**

JOB NO:  
**N/A**

DRAWN BY:  
**AA**

SCALE:  
**NTS**

OP DETAIL NO:

DATE:  
**06-16-2021**

**16**